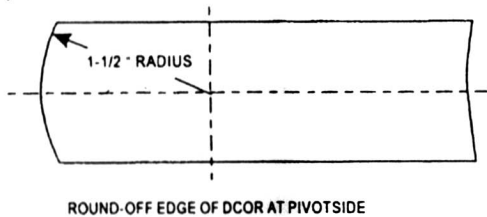
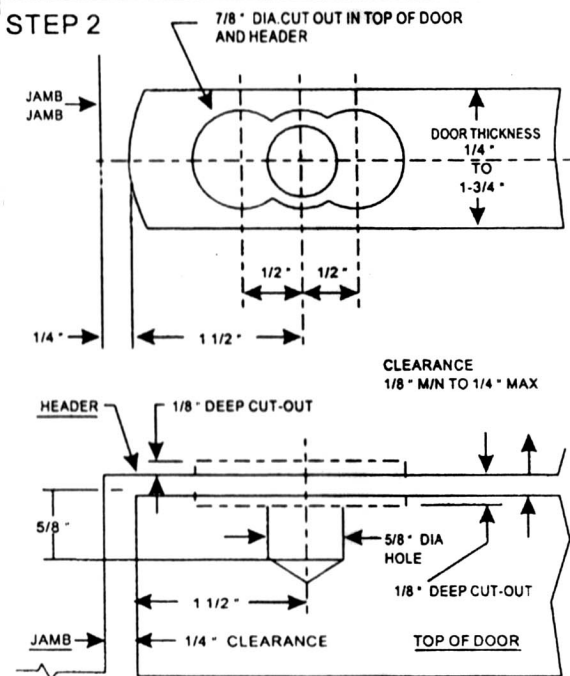


STEP 1

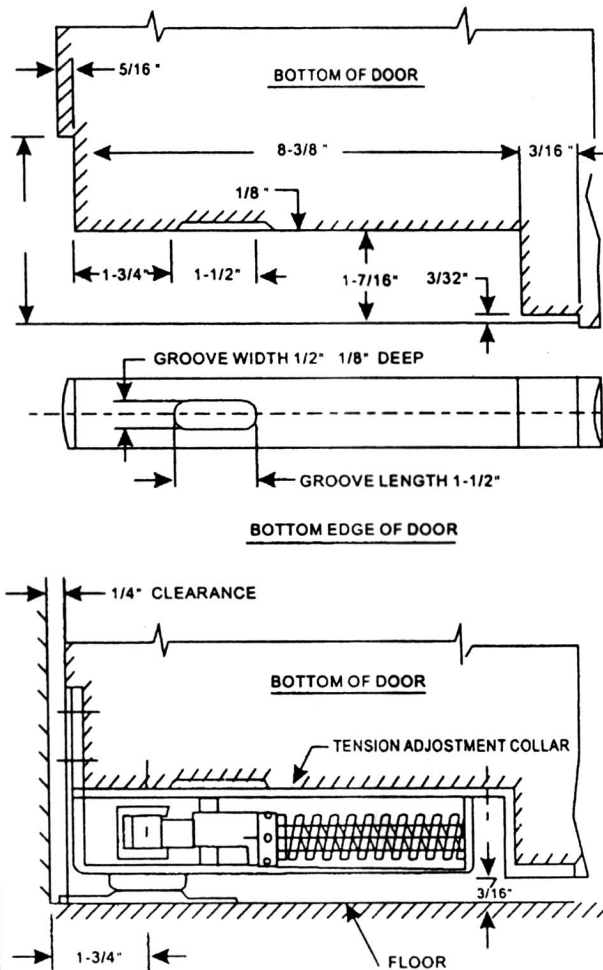


STEP 2



- 1 PREPARE 7/8 DIAMETER CUT-OUT IN THE TOP OF DOOR AND HEADER
- 2 INSTALL THE TOP PIVOT IN HEADER AND
- 3 MOUNT THE TOP PIVOT PLATE IN TOP OF DOOR
- 4 THE TOP PIVOT ASSEMBLY AND SPRING PIVOT ASSEMBLY AT BOTTOM OF DOOR MUST BE PLUMB AND ON THE SAME CENTERLINE.

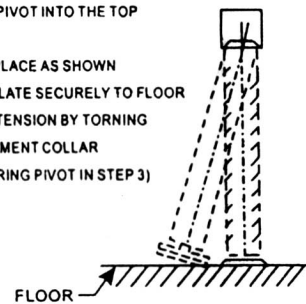
STEP 3



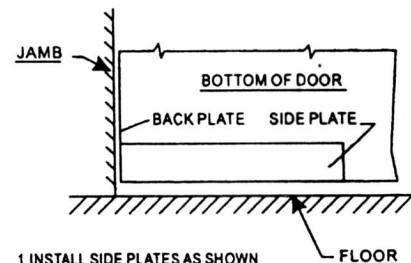
PREPARE THE BOTTOM CORNER OF THE DOOR
INSTALL THE SPRING PIVOT ASSEMBLY AS SHOWN

STEP 4

1. INSERT THE TOP PIVOT INTO THE TOP PIVOT PLATE
2. SWING DOOR IN PLACE AS SHOWN
3. FASTEN FLOOR PLATE SECURELY TO FLOOR
4. ADJUST SPRING TENSION BY TIGHTENING TENSION ADJUSTMENT COLLAR (SEE VIEW OF SPRING PIVOT IN STEP 3)



STEP 5



1. INSTALL SIDE PLATES AS SHOWN (USE TOP HOLES IN SIDE PLATES ONLY)
2. ATTACH BACK PLATE.

INSTALLATION INSTRUCTIONS

CAUTION: WORK SAFELY WEAR SAFETY GLASSES WHEN INSTALLING AND TENSIONING HORIZONTAL PIVOTS.

DOUBLE ACTION
FLOOR SPRING HINGE

P/N: DASH95U